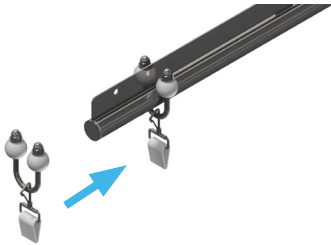


Specialized powder-coated steel suspension system that can be retracted around corners and other obstacles. The unique U-Bolt Roller attachments move smoothly over the round track, making removal and re-installation easy.

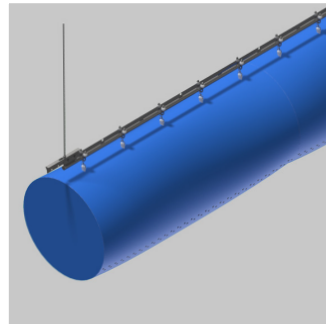


- The flexibility of the design allows for easy removal for cleaning
- Longer life expectancy with less fabric sagging and wrinkling compared to multiple row and horizontal suspension systems
- 8 ft (2.4m) long stock pieces
- Hangs from ceiling drops eliminating the need for anchor attachments at each end

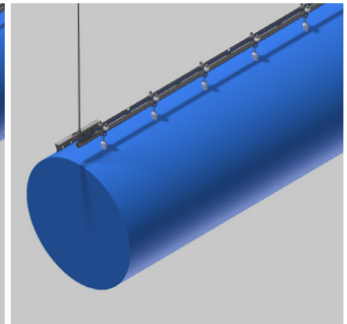
IHS Hoops | 5% Deflation

- 8" - 60" diameters (203mm - 1524mm)
- Fabric attached to 1 Row Track at 12 o'clock every 12" (305mm)
- No noise at start-up with minimal fabric motion

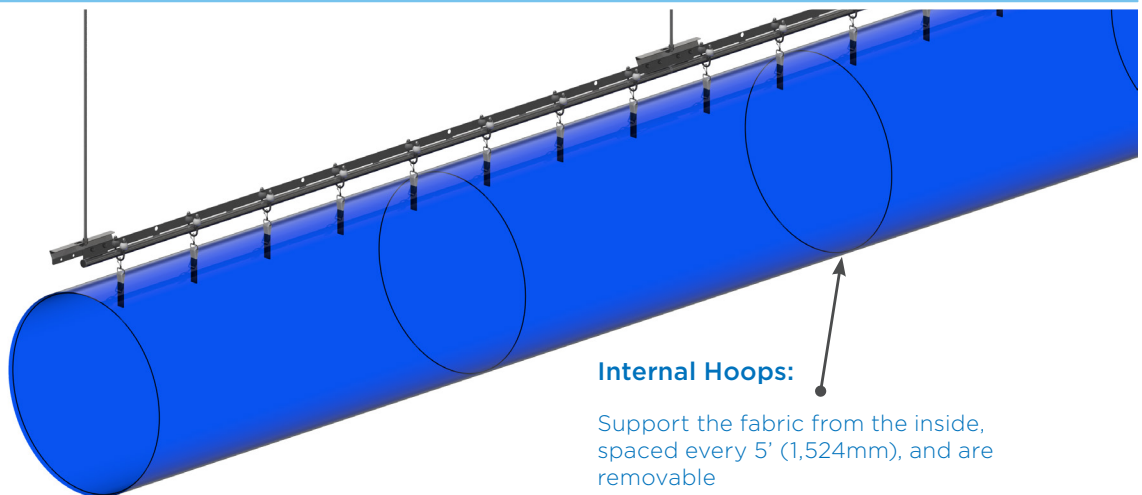
Deflated



Inflated



Internal Framework



Internal Hoops:

Support the fabric from the inside, spaced every 5' (1,524mm), and are removable

