

Use this information with your DuctSox manual.

**NOTE:** Step 1 replaces the “Prepare metal inlet collar for fabric connection” step in the installation instructions.

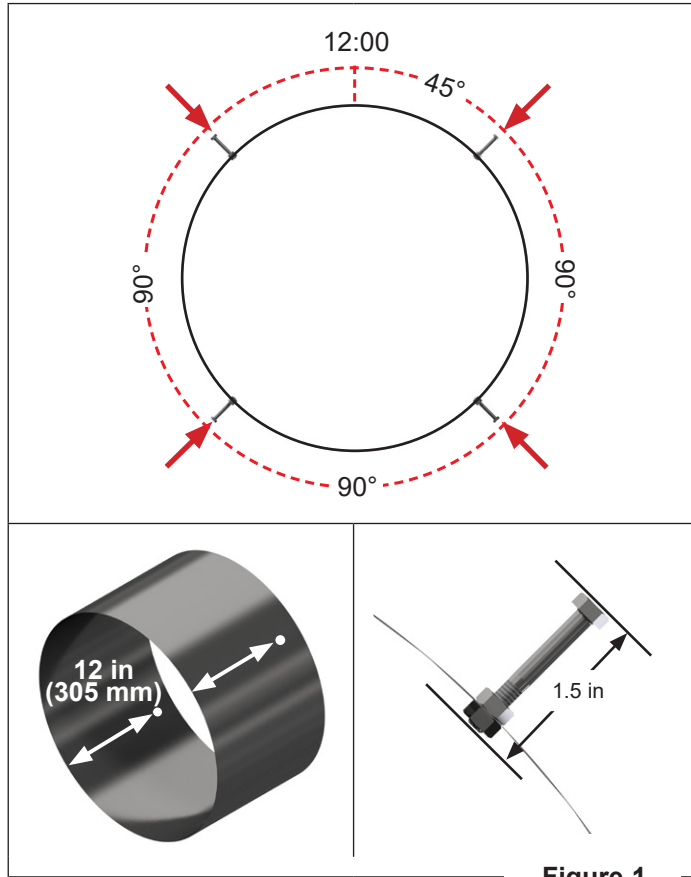


Figure 1

1. Prep Metal Inlet.
  - a. Drill 4 holes (9/32 in diameter):
    - 12 in (305 mm) from the end of the inlet.
    - Starting at 45° from 12:00. Each hole is 90° apart.
  - b. Insert 1/4 in diameter x 1.5 in length bolts (supplied by others).
    - Bolt heads point out.
    - Thread a nut onto the bolt before inserting into inlet. Thread the second nut onto the bolt on the inside of the inlet, after inserting.
    - Tighten the nuts together near the end of the bolt.
  - c. Smooth edge and install edge guard.

**NOTE:** Steps 2 – 4 replace the "Inlet attachment" instructions of the “Install DuctSox Fabric” step in the installation instructions.

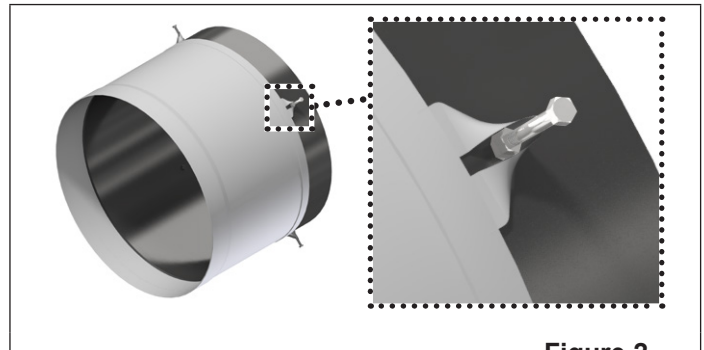


Figure 2

2. Unpack Clean Inlet and place webbing loops over the bolts. Make sure to orient the zipper start at the 12:00 position for proper alignment.

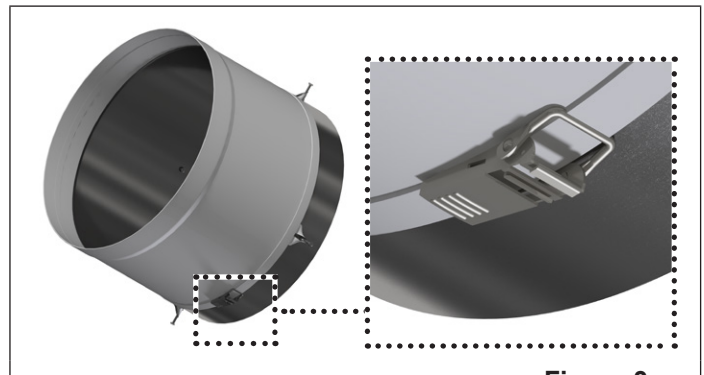


Figure 3

3. Tighten belt and close the buckle

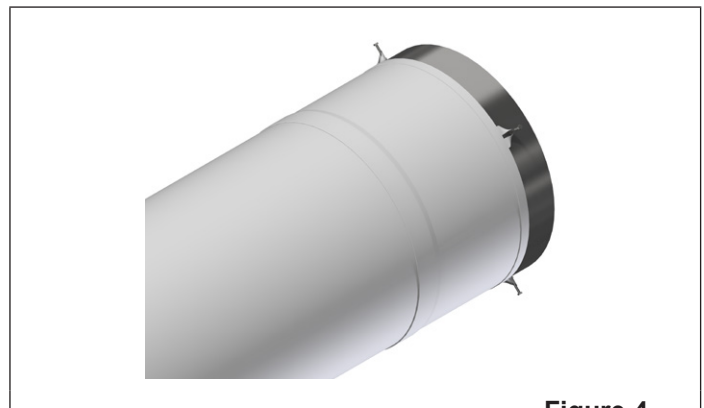


Figure 4

4. Zip 1st fabric section to the inlet.